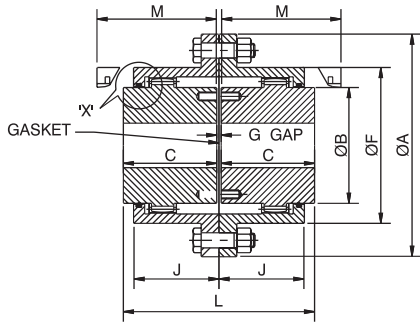
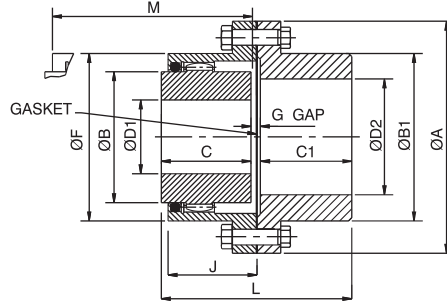




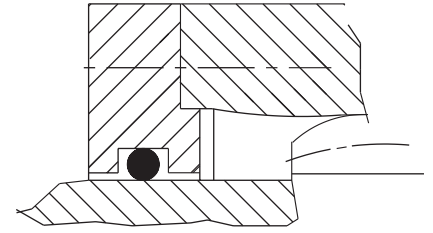
Gear Couplings



FULL GEAR COUPLE



HALF GEAR COUPLE



DETAIL 'X'
THIS COVER PLATE
CONSTRUCTION FOR
SIZES FG - 111 ONWARDS

Size	KW at 100 rpm	Rated Torque nm	Max. rpm	Bore			ØA	C	C1	ØB	ØB1	ØF	M	G	J	L	Solid Hub	
				PB	D1	D2											WT. kg-m ²	M.I. (WR ²) kg-m ²
FG-100	5.9	559	7600	13	35	45	120	45	45	50	65	75	54	3	39	93	5	0.01
FG-101	11.8	1127	6300	21	50	60	170	55	55	65	85	110	67	5	49	115	11	0.04
FG-102	29.4	2804	5000	30	60	75	185	70	70	85	110	125	83	5	62	145	15	0.05
FG-103	52.9	5047	4000	40	75	90	220	85	85	105	130	150	103	5	78	175	26	0.12
FG-104	100	9557	3350	50	90	110	250	105	105	130	160	175	124	5	96	215	40	0.24
FG-105	153	14605	2800	60	110	130	290	110	110	155	185	200	136	10	106	230	63	0.49
FG-106	235	22444	2500	75	125	150	320	125	125	175	215	230	152	10	117	260	85	0.75
FG-107	412	39303	2100	90	140	170	350	140	140	205	240	260	174	10	134	290	110	1.31
FG-108	529	50472	1900	105	160	200	380	155	155	230	285	290	187	10	147	320	160	2.13
FG-109	658	62821	1700	125	180	220	430	165	165	250	315	330	196	10	156	340	210	3.75
FG-110	963	91923	1400	140	220	260	490	180	180	310	370	390	216	10	171	370	277	7.63
FG-111	1289	123065	1250	160	260		545	200		350		445	245	10	191	410	550	14.5
FG-112	1723	164516	1120	180	300		590	240		400		490	289	10	230	490	710	22
FG-113	2344	223793	1000	200	330		680	260		440		555	312	15	241	535	980	34.5
FG-114	3351	320012	900	220	370		730	280		500		610	341	15	265	575	1320	72.75
FG-115	4071	388738	800	250	410		780	320		540		660	385	15	303	655	1700	88.25
FG-116	7028	671165	710	300	455		900	350		625		755	423	20	333	720	2550	172
FG-117	9997	954665	630	375	520		1000	400		720		855	489	20	384	820	3620	309
FG-118	13236	1263938	560	450	610		1100	450		810		950	533	20	428	920	4860	491
FG-119	174554	1666744	500	520	710		1250	485		910		1050	559	30	444	1000	6380	753

